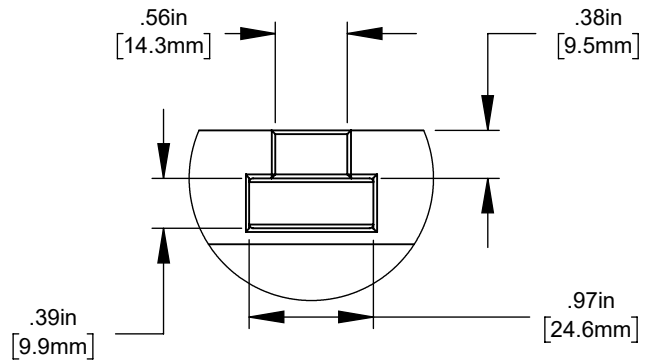
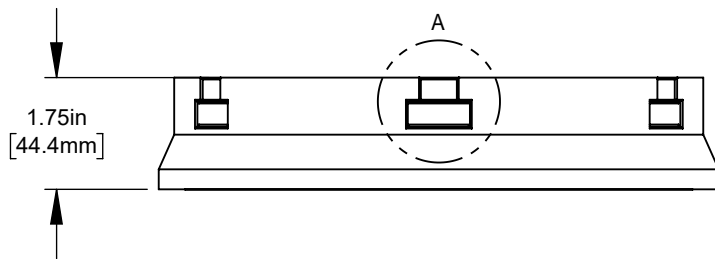
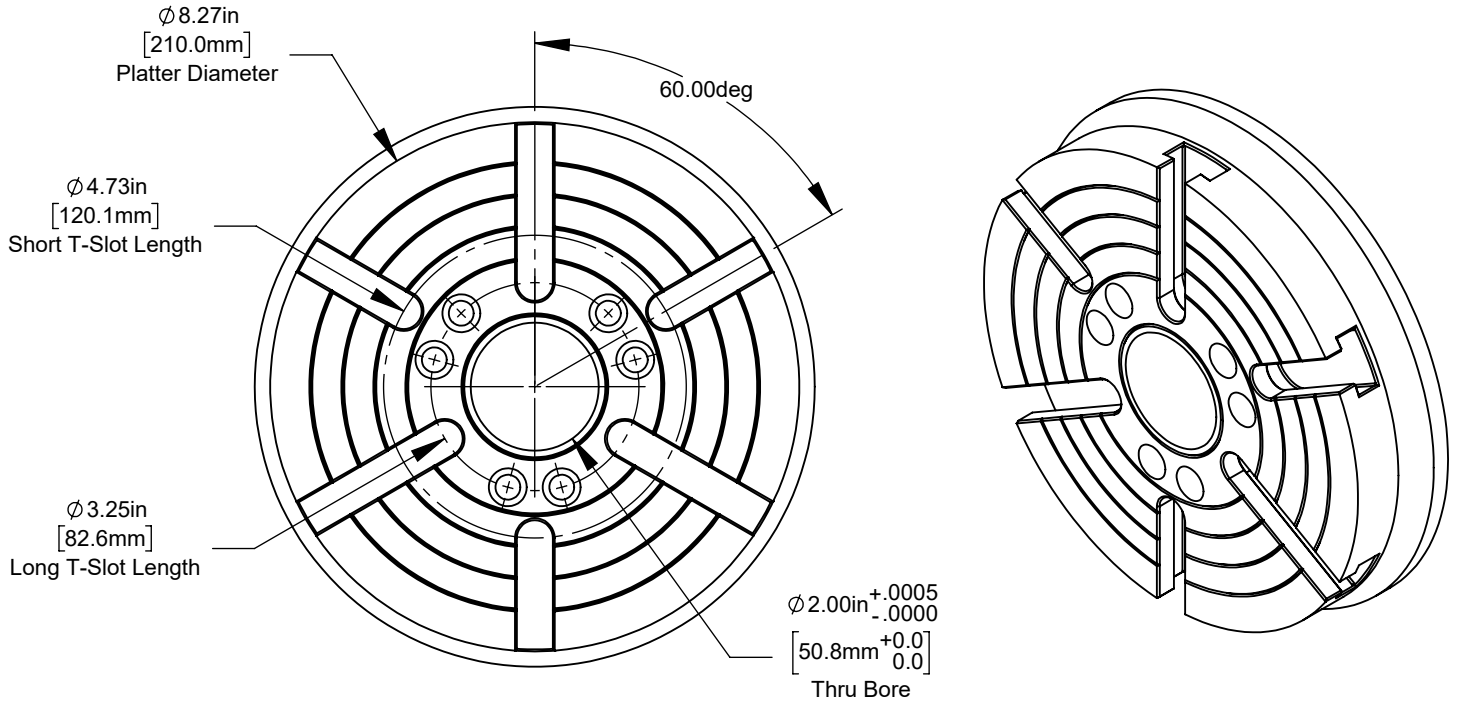


All dimensions based on stackup of sheetmetal, subject to variation of 1/2" (13 mm)



DETAIL A
SCALE 2 : 3